



Quality is Our
Strength.

Product Catalogue



astenjant.com.tr



asten@astenjant.com.tr

About Us

ASTEN JANT began its operations in 1989 with the production of forklift wheels. Over time, in response to increasing demand, the company expanded its product range to include wheels for construction machinery, tractors, agricultural vehicles, military vehicles, and custom application wheels. Today, our annual production capacity has reached 100,000 units.

In addition to domestic sales, we regularly export to a total of 36 countries across Europe, Asia, the Americas, and Africa.

Our company's key competitive advantage lies in its ability to provide continuous production across all wheel groups, with flexibility in production quantities and custom dimensions.

With a total production facility area of 16,500 m², we continue to enhance our production technology and capacity, maintaining our momentum in manufacturing.



Our Vision

Our priority is to consistently strive to be the best, advancing by continuously improving ourselves while maintaining our affordable pricing and commitment to the right quality policy.

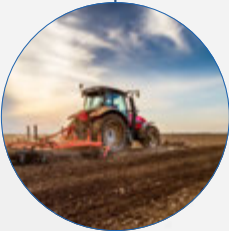
Our Mission

We embarked on this journey with the goal of being the best in wheels, advancing while maintaining our presence in various fields.

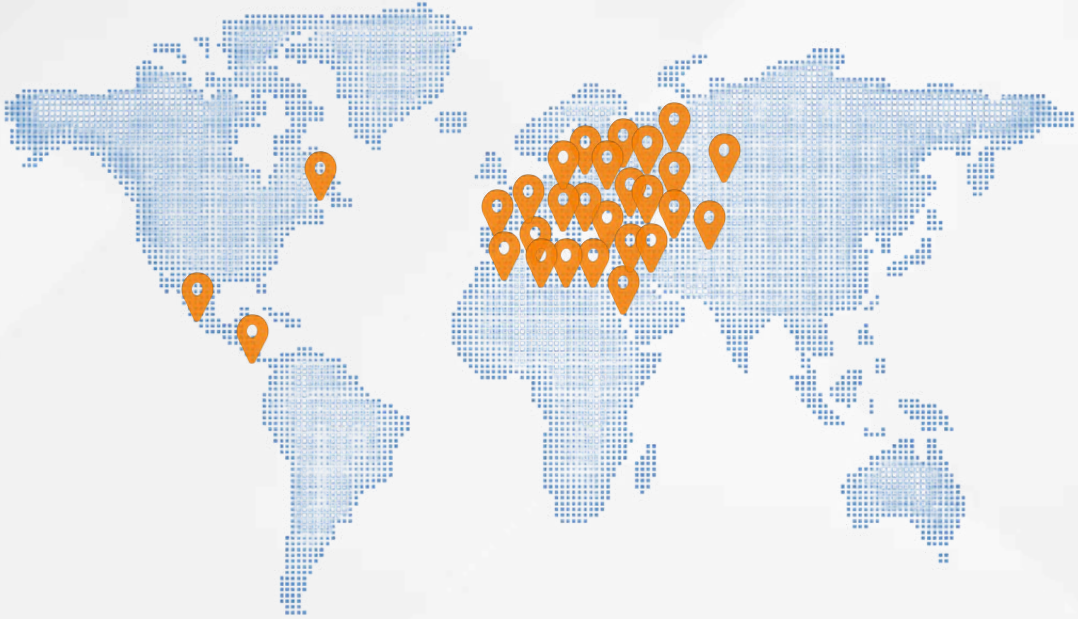
Our Goals

Providing excellence in quality, service, and distributor relations is our core objective.

We manufacture 3,000 different types of wheels across 4 sectors!



**Our wheels are present in 4
continents and 36 countries!**



Agricultural Wheels



Agricultural Machinery Wheels

WHEEL DIMENSIONS	TIRE DIMENSIONS
4.50 X 12	7.00-12
7.00 X 12	10/80-12
8.50 X 12	23X10.5-12
10.50 X 12	26X12-12
9.00 X 15.3	10.0/75-15.3 - 12.5/80-15.3
13 X 15.5	400/60-15.5
4.5 X 16	6.00-16
5.5 X 16	7.50-16
6.5 X 16	9.00-16
W8 X 16	280/70-16
14.00 X 16.1	16.5-16.1
13 X 17	440/50-17
16 X 17	500/50-17
6.00 X 17.5	215/75-17.5
6.75 X 17.5	245/75-17.5
5.5 X 18	7.50-18
W8 X 18	280/70-18
7.50 X 19.5	285/70-19.5
14.00 X 19.5	445/50-19.5
W5.5 X 20	7.50-20
W9 X 20	280/70-20 - 11.2R20
W10.00 X 20	320/85-20
9.00 X 22.5	315/80-22.5



Tractor Wheels

Narrow Wheels

WHEEL DIMENSION	TIRE DIMENSIONS
W7 X 24	8.3-24 - 9.5-24
W10 X 24	280/85R24 - 320/85R24
W12 X 24	340/85R24
W7 X 28	8.3-28 - 9.5-28
W10 X 28	280/85R28 - 320/85R28
W12 X 28	340/85R28
W7 X 32	210/95R32 - 230/95R32
W8 X 32	230/95R32 - 270/95R32
W9 X 32	270/95R32 - 320/85R32
W10 X 32	320/85R32
W7 X 36	210/95-36 - 230/95-36
W8 X 36	230/95R36 - 270/95R36
W9 X 36	270/95R36
W10 X 36	320/85R36
W11 X 36	320/85R36 - 340/85R36
W9 X 38	270/95R38
W10 X 38	320/85R38
W12 X 38	340/85R38 - 380/85R38



Tractor Wheels

Narrow Wheels

WHEEL DIMENSION	TIRE DIMENSIONS
W8 X 40	230/95R40 - 270/95R40
W7 X 42	210/95R42 - 230/95R42
W10 X 42	320/90R42
W7 X 44	210/95R44 - 230/95R44
W8 X 44	230/95R44 - 270/95R44
W9 X 44	270/95R44
W9 X 46	270/95R46-300/95R46-320/90R46
W11 X 46	340/85R46
W12 X 46	340/85R46 - 380/90R46
W8 X 48	230/95R48 - 270/95R48
W9 X 48	270/95R48
W11 X 48	340/85R48
W12 X 48	340/85R48
W9 X 50	320/90R50
W10 X 50	320/90R50
W12 X 50	380/90R50
W9 X 52	300/95R52
W10 X 52	320/95R52
W9 X 54	270/95R54
W10 X 54	320/90R54
W12 X 54	380/90R54



Tractor Wheels

Wide Wheels

WHEEL DIMENSION	TIRE DIMENSIONS
W13 X 24	420/65R24
W14 X 24	440/65R24
W15 X 24	480/65R24
W13 X 28	420/65R28
W15 X 28	480/65R28
DW13 X 30	380/85R30
DW14 X 30	16.9-30 - 420/85R30
DW15 X 30	18.4-30 - 460/85R30
DW16 X 30	540/65R30 - 520/85R30
DW15 X 34	420/85R34 - 460/85R34
DW15 X 38	420/85R38 - 460/85R38
DW16 X 38	540/65R38 - 520/85R38
DW18 X 38	600/65R38
DW20 X 38	650/65R38
DW20 x 42	650/65R42
DW23 X 42	710/70R42
W14 X 46	420/80R46



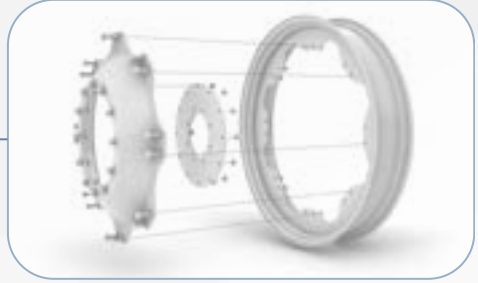
Harvester Wheels

WHEEL DIMENSION	TIRE DIMENSIONS
9 X 18	12.5/80 - 18
13 X 20	16/70 - 20
DW13 X 24	16/70 - 24
DW15 X 24	16.9 - 24
DW20 X 26	23.1 - 26
DW15 X 30	16.9 - 30
DW20 X 30	23.1 - 30
DW21 X 32	650/75 - 32
DW27 X 32	800/65 - 32

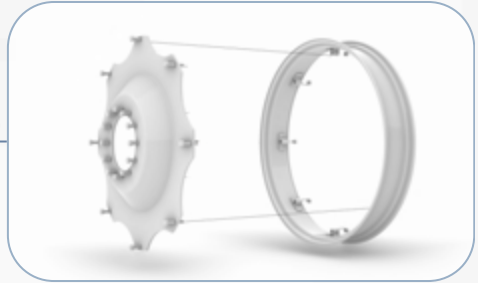
Tractor Wheel Hub Connection Types



Crown Type Wheels



Omega Type Wheels



L Type Wheels



Forklift Wheels



Forklift Wheels

Lock&Side Ring Wheels

WHEEL DIMENSION	TIRE DIMENSIONS
3.00 X 8	5.00 - 8 - 15X4.5-8
4.33 X 8	16X6-8 - 18X7-8
4.00 X 9	6.00-9 - 140/55-9
6.00 X 9	21X8-9
5.00 X 10	6.50-10 - 180/60-10
6.50 X 10	200/50-10 - 23X9-10
5.00 X 12	7.00-12
8.00 X 12	23X10-12 - 27X10-12
10.00 X 12	315/45-12
4.50 X 15	6.00-15
5.50 X 15	7.00-15
6.50 X 15	7.50-15 - 8.25-15
7.00 X 15	28X9-15 - 8.15-15 - 2.50-15
8.00 X 15	3.00-15
9.75 X 15	355/65-15 - 28X12.5-15
6.00 X 16	7.50-16
7.00 X 20	9.00-20
7.50 X 20	10.00-20
8.00 X 20	10.00-20 - 11.00-20
8.50 X 20	12.00-20
8.50 X 24	12.00-24



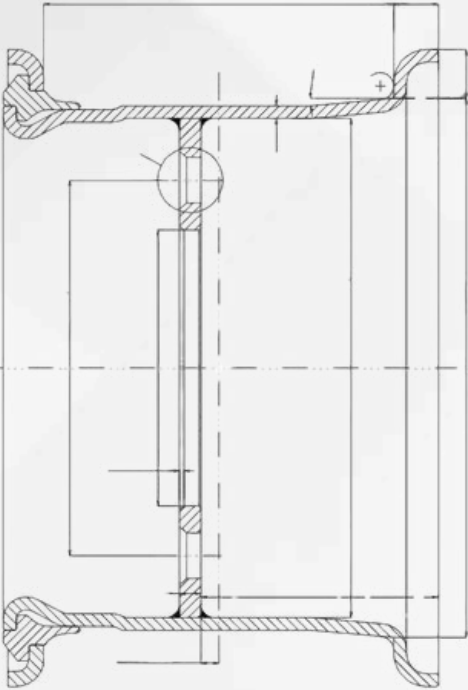
Forklift Wheels

Split (Two Pieces) Wheels

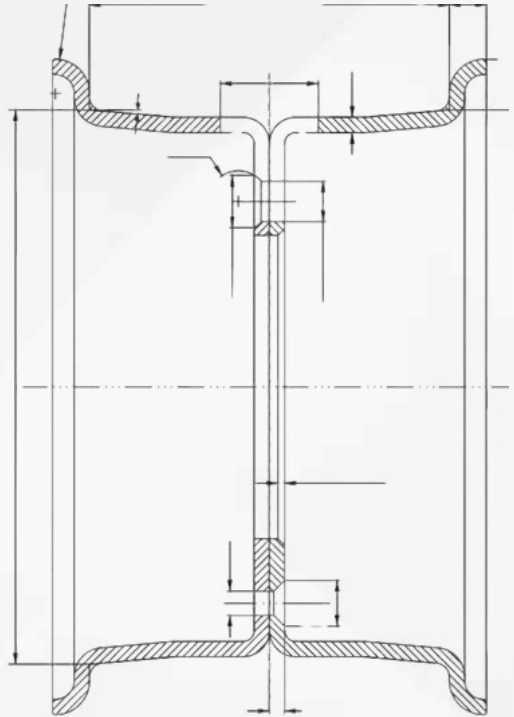
WHEEL DIMENSION	TIRE DIMENSIONS
3.00 X 8	4.00-8 - 5.00-8 - 15X4.5-8
3.75 X 8	4.00-8
4.33 X 8	16X6-8 - 18X7-8
4.00 X 9	6.00-9 - 140/55-9
5.00 X 10	6.50-10
6.50 X 10	200/-50-10 - 23X9-10
5.00 X 12	7.00-12
3.75 X 13	23X5(-13) - 150/100-13
5.50 X 15	700-15

Forklift Wheel Types

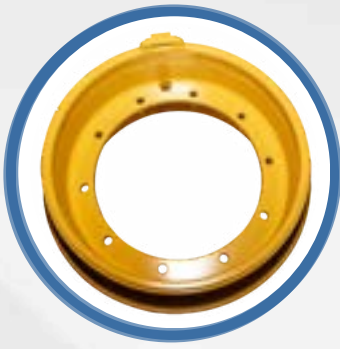
Lock&Side Ring Wheels



Split (Two Pieces) Wheels



Construction Machinery Wheels



Construction Machinery Wheels

Loader Wheels

WHEEL DIMENSION	TIRE DIMENSIONS
12.00 X 25/1,3 3PC TUBELESS	15.5 R25
14.00 X 25/1,5 3PC TUBELESS	17.5 R25
17.00 X 25/1,7 3PC TUBELESS	20.5 R25
19.50 X 25/2,5 3PC TUBELESS	23.5 R25
22.00 X 25/3,0 3PC TUBELESS	26.5 R25
25.00 X 25/3,5 3PC TUBELESS	29.5 R25
19.50 X 25/2,5 5PC TUBELESS	23.5 R25
22.00 X 25/3,0 5PC TUBELESS	26.5 R25
25.00 X 25/3,5 5PC TUBELESS	29.5 R25

Grader Wheels

WHEEL DIMENSION	TIRE DIMENSIONS
8.0VA X 24 3PC	1300-24
10.0VA 24 3PC	1400-24
9.00 X 24 MONOBLOK TUBELES	14.0 R24
13.00 X 25 MONOBLOK TUBELESS	17.5 R25
12.00 X 25/1,3 3PC TUBELESS	15.5 R25
14.00 X 25/1,5 3PC TUBELESS	17.5 R25
17.00 X 25/1,7 3PC TUBELESS	20.5 R25



Construction Machinery Wheels

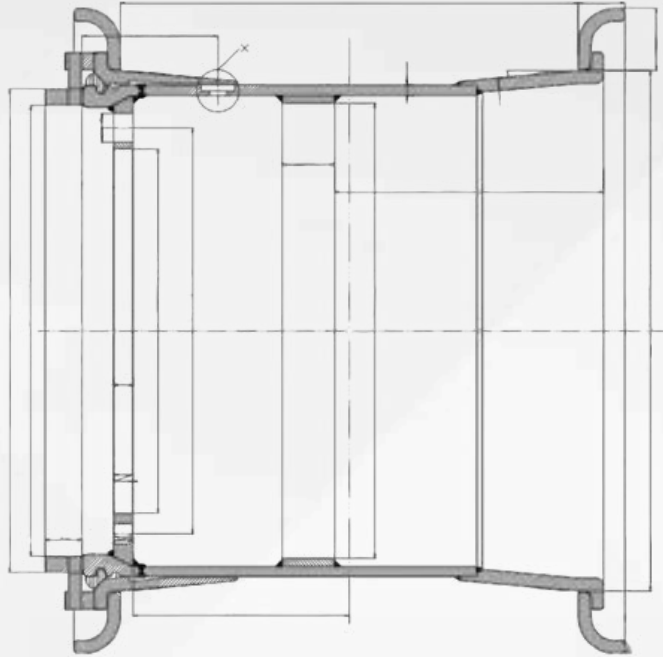
Backhoe Loader Wheels

WHEEL DIMENSION	TIRE DIMENSIONS
9 X 18	12.5/80 - 18
11 X 18	12.5/80 - 18
11 X 20	14.5/80 - 20
13 X 20	16/70 - 20
13 X 24	15.5/80 - 24
DW14 X 24	16.9 - 24
DW15 X 24	16.9 - 24
DW16 x 26	18.4 - 26
DW14 X 28	16.9 - 28
DW15 X 28	16.9 - 28
DW14 X 30	16.9 - 30

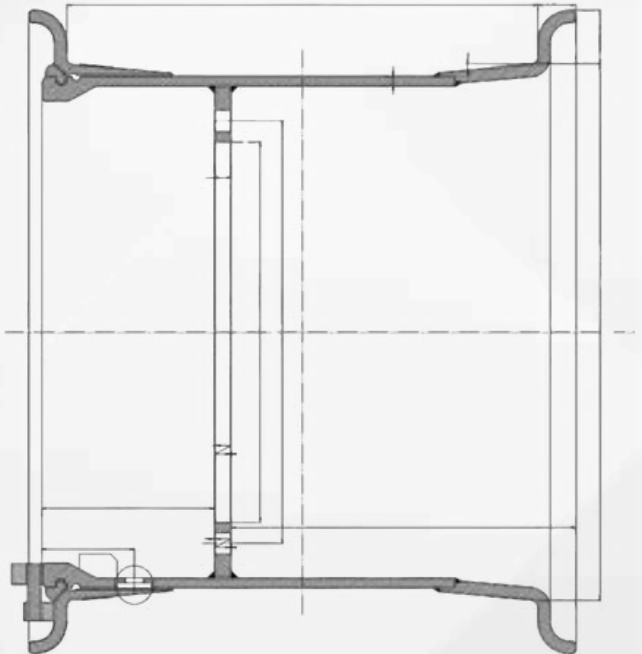
Mini Loader Wheels

WHEEL DIMENSION	TIRE DIMENSIONS
7.00 X 12	23X8.5 - 12
7.00 X 15	27X8.5 - 15
8.25 X 16.5	10 - 16.5
9.75 X 16.5	12 - 16.5
10.5 X 17.5	14 - 17.5
7.50 X 20	31X10 - 20 SOLID
7.50 X 20	33X12 - 20 SOLID
7.50 X 20	36X14 - 20 SOLID

5 Piece Wheels



3 Piece Wheels



Industrial Wheels



Industrial Vehicle Wheels

Port & Tunnel & Mining Vehicles Wheels

WHEEL DIMENSION	TIRE DIMENSIONS
8.50V - 20 3PC TUBELESS	12.00R20
10.0V - 20 3PC TUBELESS	14.00R20
8.50 X 20 4PC	12.00R20
10.00 X 20 4PC	355/50-20
8.50 X 24 4PC	12.00-24
10.00 X 24 4PC	1400-24
13.00 X 25/2,5 3PC TUBELESS	18.00 R25
13.00 X 33/2,5 3PC TUBELESS	18.00 R33
11.25 X 25/2,0 5PC TUBELESS	16.00 R25
13.00 X 25/2,5 5PC TUBELESS	18.00 R25
13.00 X 33/2,5 5PC TUBELESS	18.00 R33
15.00 X 35/3,0 5PC TUBELESS	21.00 R35



ISTANBUL
HEADQUARTERS



İkitelli O.S.B. Metal-Is Industry Site. Service Buildings, Block 5B, Floor 3, D: 4, Başakşehir, İstanbul - Türkiye



+90 212 671 62 71
+90 212 671 67 00



+90 212 671 88 34



asten@astenjant.com.tr



Çanakkale
FACTORY



Bursa Road, 6th Km, Organized Industrial Zone, 1st Street, No. 30, Karacaören, Çanakkale - Türkiye



+90 286 214 15 20



+90 286 214 15 21



asten@astenjant.com.tr

asten[®]
jant

Quality is Our
Strength.



astenjant.com.tr



asten@astenjant.com.tr